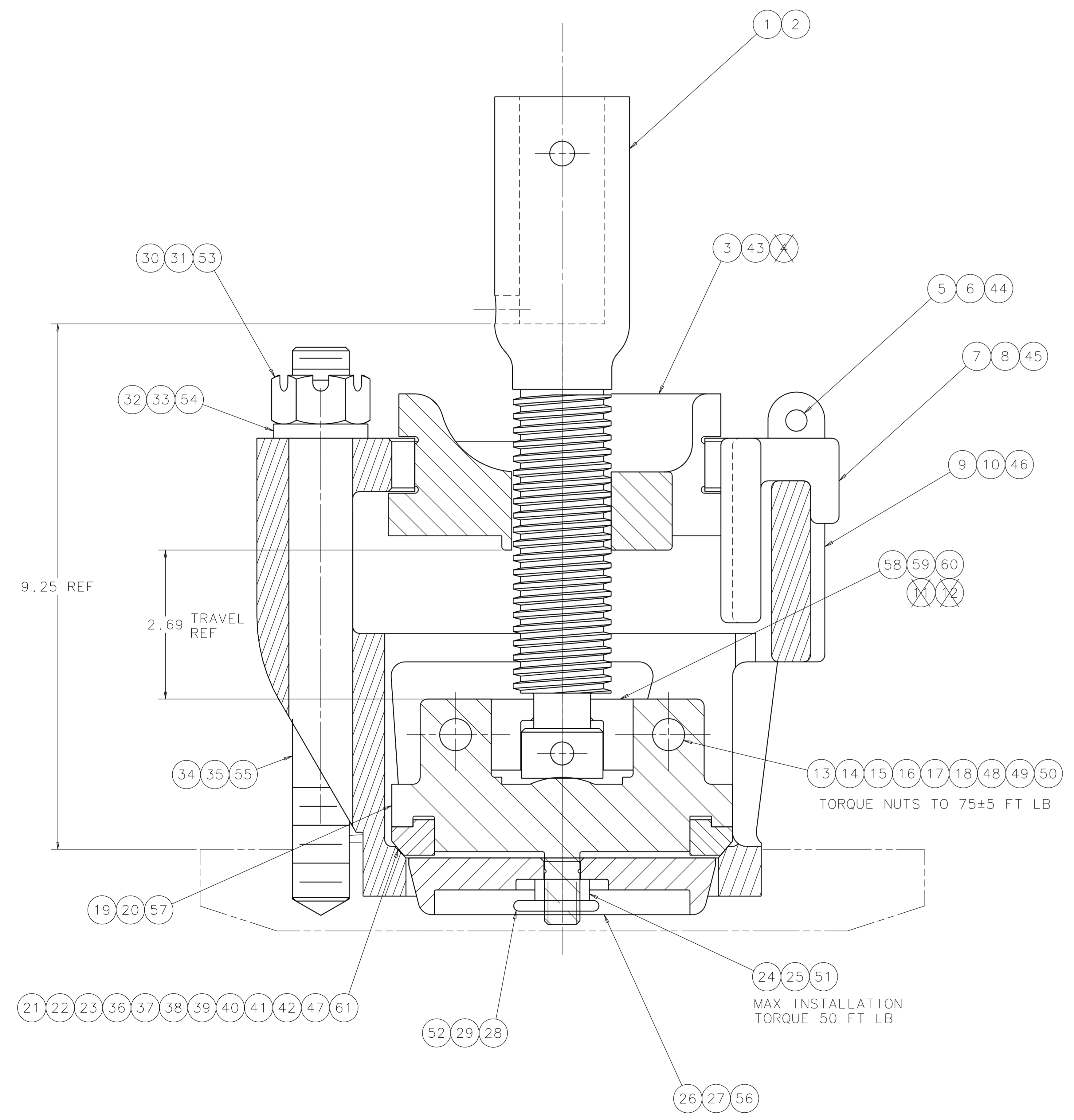


REF DWG: 3-C-1514

APPLICATION			
LINE NO.	PART NO.	ARI TYPE	DESCRIPTION
00	6H355900	CS 1576	STEEL WITH NITRILE RUBBER (BUNA-N) GASKET
01	6H355901	CS 1576	STEEL WITH TEFLON 100% FEP GASKET
02	6H355902	CS 1576	STEEL WITH TEFLON TFE 15% GLASS FIBER GASKET
03	6H355903	S 1576	STAINLESS STEEL WITH NITRILE RUBBER (BUNA-N) GASKET
04	6H355904	S 1576	STAINLESS STEEL WITH TEFLON 100% FEP GASKET
05	4H355905	S 1576	STAINLESS STEEL WITH TEFLON 15% GLASS FIBER GASKET
06	6H355906	CS 1576	STEEL WITH NEOPRENE RUBBER FOOD GRADE GASKET
07	6H355907	CS 1576	STEEL WITH FLUOROCARBON RUBBER (VITON) GASKET
08	4H355908	CS 1576	STEEL WITH BUTYL RUBBER GASKET
09	6H355909	CS 1576	STEEL WITH ETHYLENE PROPYLENE GASKET
10	4H355910	CS 1576	STEEL WITH POLYSULFIDE ELASTOMER GASKET
11	6H355911	S 1576	STAINLESS STEEL WITH NEOPRENE RUBBER FOOD GRADE GASKET
12	6H355912	S 1576	STAINLESS STEEL WITH FLUOROCARBON RUBBER (VITON) GASKET
13	4H355913	S 1576	STAINLESS STEEL WITH BUTYL RUBBER GASKET
14	6H355914	S 1576	STAINLESS STEEL WITH ETHYLENE PROPYLENE GASKET
15	4H355915	S 1576	STAINLESS STEEL WITH POLYSULFIDE ELASTOMER GASKET
16	4H355916	S 1576	STAINLESS STEEL WITH NEOPRENE RUBBER
17	6H355917	S 1576	STAINLESS STEEL WITH TY 316 WITH FLUOROCARBON RUBBER (VITON) GASKET
18	6H355918	CS 1576	STEEL WITH NEOPRENE
19	6H355919	S 1576	STAINLESS STEEL TY 316 WITH NEOPRENE RUBBER FOOD GRADE GASKET
20	6H355920	CS 1576	STEEL WITH WHITE NITRILE RUBBER (BUNA-N) FOOD GRADE
21	4H355921	S 1576	STAINLESS STEEL WITH 75±5 DUREMETER ETHYLENE PROPYLENE GASKET
22	4H355922	S 1576	STAINLESS STEEL WITH TEFLON TFE 25% GLASS FIBER GASKET

LINE NO. & QTY.		PART NO.	DWG. NO.	DESCRIPTION & MATL.	NOTE	ITEM
22	1	6C146100	2-C-1461-00	STEM		1
21	1	6C146101	2-C-1461-01	STEM		2
20	1	6C146205	2-C-1462-05	SLEEVE		3
19	1	6C146206	2-C-1462-06	SLEEVE		4
18	1	90007053		SPRING-COTTER 3/8 X 3 1/2 EXT PRONG SQ. CUT STEEL		5
17	1	90007046		SPRING-COTTER 3/8 X 3 1/2 EXT PRONG SQ. CUT, TY 304 SST		6
16	1	50097165	1-C-1463-02	STOP		7
15	1	50097523	1-C-1463-01	STOP		8
14	1	6G767300	4-G-7673-00	CAGE		9
13	1	6G767301	4-G-7673-01	CAGE		10
12	1	3H355801	3-H-3558-01	RETAINER		11
11	1	3H355800	3-H-3558-00	RETAINER		12
10	2	90018602		CAP SCREW-HEX HEAD 1/2-13UNC-2A X 2 3/4 LONG ASTM A449		13
9	2	90018603		CAP SCREW-HEX HEAD 1/2-13UNC-2A X 2 3/4 LONG ASTM A193 GR B8 CL2		14
8	2	90002340		NUT-HEX 1/2-13UNC-2B ASTM A194 GR 2H		15
7	2	90002480		NUT-HEX 1/2-13UNC-2B TY 316 SST		16
6	2	90004032		1/2 REG HELICAL SPRING LOCK WASHER		17
5	2	90002906		1/2 REG HELICAL SPRING LOCK WASHER SST		18
4	1	3H355801	3-H-3558-01	RETAINER		19
3	1	3H355800	3-H-3558-00	RETAINER		20
2	1	90011736	3-H-7189-00	GASKET		21
1	1	90011737	3-H-7189-01	GASKET		22
	1	90011738	3-H-7189-02	GASKET		23
	1	90002068		HEX SLOTTED NUT 5/8 UNC-2B ASTM A307 GR. A		24
	1	90002162		HEX SLOTTED NUT 5/8 UNC-2B 304 SST		25
	1	6H311201	3-H-3112-01	GUIDE		26
	1	6H311200	3-H-3112-00	GUIDE		27
	1	90007027		COTTER 3/16 X 1 1/2 LG		28
	1	90007059		COTTER 3/16 X 1 1/2 LG SST		29
	3	90002054		NUT-HEX 1-8UNC-2B ASTM A194 GR. 2H		30
	3	90002479		NUT-HEX 1-8UNC-2B TY 316 SST		31
	3	90004278		1 1/2 IN. HVY SPRING LOCK WASHER HELICAL		32
	3	90004277		1 1/2 IN. HVY SPRING LOCK WASHER HELICAL SST		33
	3	90001270	1-C-1519-00	STUD BOLT		34
	3	90001564	1-C-1519-01	STUD BOLT		35
	1	90011739	3-H-7189-03	GASKET		36
	1	90011740	3-H-7189-04	GASKET		37
	1	90011742	3-H-7189-05	GASKET		38
	1	90011749	3-H-7189-06	GASKET		39
	1	90011750	3-H-7189-07	GASKET		40
	1	90038066	3-H-7189-08	GASKET		41
	1	91000180	3-H-7189-10	GASKET		42
	1	3C146206	3-C-1462-06	SLEEVE		43
	1	90007116		SPRG COTTER 3/8 X 3 1/2 SQ CUT 316 SST EXT PRONG		44
	1	50093533	1-C-1463-04	STOP		45
	1	4G767302	4-G-7673-02	CAGE		46
	1	90039043	3-H-7189-09	GASKET		47
	2	90018668		CAP SCREW HEX HD 1/2-13UNC-2A X 2 3/4 LG ASTM A193 GR B8MCL-2		48
	2	90002225		NUT HEX 1/2-13UNC-2B 304 SST		49
	2	90004303		1/2 REG HEL SPRG LOCK WASH 316 SST		50
	1	90002534		HEX SLOTTED NUT 5/8-11UNC-2B 316 SST		51
	1	90007117		COTTER 3/16 X 1 1/2 LG 316 SST		52
	1	90002295		NUT HEX 1-8UNC-2B 304 SST		53
	1	90004411		1 IN. HEL SPRG LOCK WASHER 316 SST		54
	1	90034579	1-C-1519-02	STUD BOLT		55
	1	3H311202	3-H-3112-02	GUIDE		56
	1	3H355802	3-H-3558-02	RETAINER		57
	2	6J890601	3-J-8906-01	CLAMP		58
	2	6J890600	3-J-8906-00	CLAMP		59
	2	6J890602	3-J-8906-02	CLAMP		60
	1	3H718919	3-H-7189-19	GASKET		61



NOTICE:
 THIS DRAWING AND THE INFORMATION CONTAINED THEREIN ARE CONFIDENTIAL AND THE PROPERTY OF ARI. NO USE OR DISCLOSURE OF THE DRAWING OR INFORMATION CONTAINED THEREIN SHALL BE MADE WITHOUT PRIOR WRITTEN CONSENT OF ARI.

REV	DATE	DR	CK	DESCRIPTION
-	-	-	-	-
P	10-20-06	RLM	RAD	*ARI* IN APPLICATION TABLE WAS *ACF* REDRAWN IN CAD. ADDED ITEM 61 AND LINE 22
N	03-09-03	GJT		ITEM 18 WAS 90004091
M1	02-24-99			ADDED LINE 21
M	12-17-97	TOM		ITEMS 4 & 42 REPLACED BY ITEM 43
L	11-20-97	TOM		ITEM 42 WAS 3-C-1462-04
K	11-11-97	TOM		ITEM 42 WAS 3-C-1462-01
J1	08-18-97	TPM		ADDED LINE 20 AND ITEM 47
A	-	-	-	ORIGINAL ISSUE

TOL UNLESS NOTED
 DEC +/-
 FRAC +/-
 ANG +/-

DRAFTER DH 3-1-79
 CHECKER AS 3-1-79
 GROUP LDR JCH 3-79
 APPL ENGR
 STR ENGR PJD 2-5-80
 PROJ ENGR WDS 11-79

UNLESS OTHERWISE NOTED ALL DIMS. ARE IN INCHES

CODE NO
 LOT NO

American Railcar Industries

VALVE, ARRGT-BOTTOM OUTLET, 6 INCH

DWG NO. 4-H-3559

SCALE SHEET